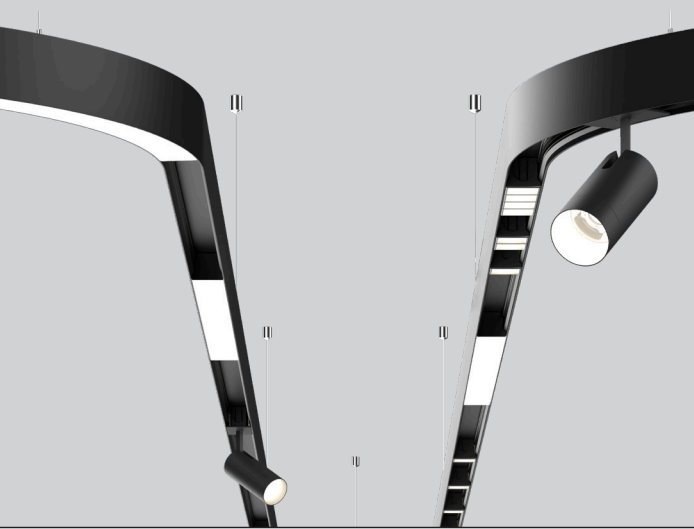


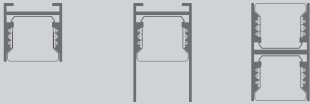
# R-LINE<sup>®</sup> TRACK



**5** YEAR  
limited  
led warranty



## CHANNEL



R1

R2

R3

## PERFORMANCE

- Modular 48V track system
- Combine linear, curve, and track
- Patented technology
- Field cuttable track

## CONFIGURATIONS



Linear

Corner

Curve

## MOUNTING



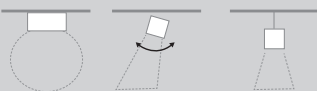
Trimless  
Recessed

Surface

Suspended

Indirect  
Suspended

## INSET OPTIONS



Opal

Spotlight

Decorative

## Catalog Number Example

RLTR-R1-PDT-BLWH-48V-010V-2C-LS-R18-08'-F-CP-B1

### A PRODUCT

R1 Track 1" track	R L T R-R 1
R2 Track 2" track	R L T R-R 2
R3 Track H track	R L T R-R 3

R3 track is only available as a pendant

### B MOUNTING

Recessed Trimless	R T L
Surface Mount	S U R
Pendant Cable	P D T
Pendant Stem available Q1 2024	S T M
Custom Mount	X X X

custom mount, please contact XAL

### C HOUSING COLOR

Black RAL9005	B L _ _
White RAL9016	W H _ _
Custom RAL	X X _ _

custom RAL, please contact XAL

### PENDANT HARDWARE COLOR

sub option: pendant cable or stem only

Black	_ _ B L
White	_ _ W H

None recessed or surface mount

power feed, stem & canopy cover only; AC cable & barrel mount come in silver

### D VOLTAGE

48V low constant voltage	4 8 V
--------------------------	-------

remote driver required (see driver cutsheet)

### E DIMMING

0-10V 1% dimming	0 1 0 V
------------------	---------

### F CIRCUIT

1 Circuit 2x48V 1xPWM	1 C
2 Circuit 4x48V 2xPWM	2 C
4 Circuit 8x48V 4xPWM	4 C

4 circuit R3 track only; for EMC contact XAL

### G SHAPE/PATTERN

Linear	S T
L-Shape (90°)	L S
□-Shape rectangular shape (90°)	R S
U-Shape (90°)	U S
Z-Shape (90°)	Z S
Wall to Ceiling (90°)	W C
Custom Pattern	C P

custom angles and patterns, please contact XAL

### H CORNERS

No Corners	*
Mitered 90°	M 9 0
Curved Radius 18"/90°	R 1 8
Curved Radius 24"/90°	R 2 4
Curved Radius 36"/90°	R 3 6
Custom	X X

custom radius and angles, please contact XAL

\*leave empty

### I DIMENSIONS

2' 0" min. length	0 2'
4' 0"	0 4'
6' 0"	0 6'
8' 0"	0 8'

Shape / Pattern	_ _ X _ _ X _ _
Custom	' _ _ _ _ _

custom patterns, please contact XAL

### J FIELD CUT

Field Cuttable Track	F
----------------------	---

please see next page for limitations

### K CCEA (optional)

CCEA Rated (Chicago Plenum)	C P
-----------------------------	-----

recessed and surface mount only

## Optional Accessories

ships separately

### L BLIND COVERS

Blind Cover 1" flush with R1 track	B 1
------------------------------------	-----

includes field cuttable blind cover (end to end)

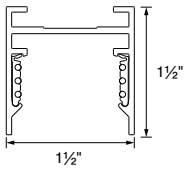
### + TRACK WITH UPLIGHT

see R-Line Uplight cutsheet

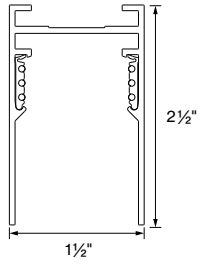
**BASO**  
basolighting.com  
xalusa.com

# DIMENSIONS

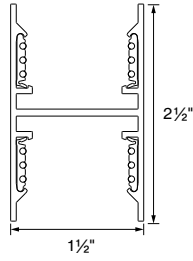
R1



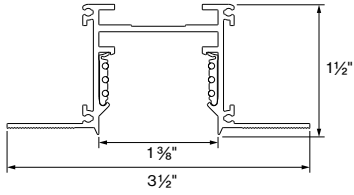
R2



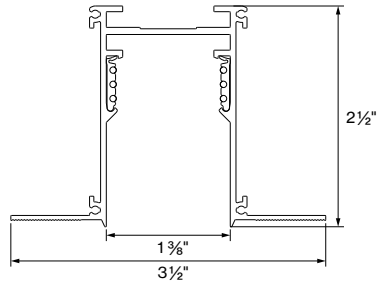
R3



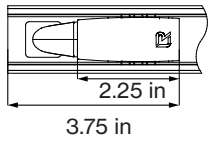
R1 (Recessed Trimless)



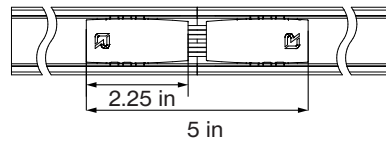
R2 (Recessed Trimless)



POWER FEED

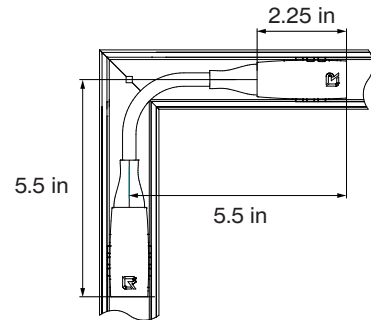


ELECTRICAL CONNECTOR



ELECTRICAL CONNECTOR

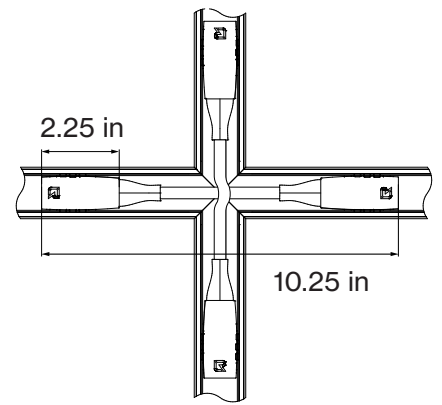
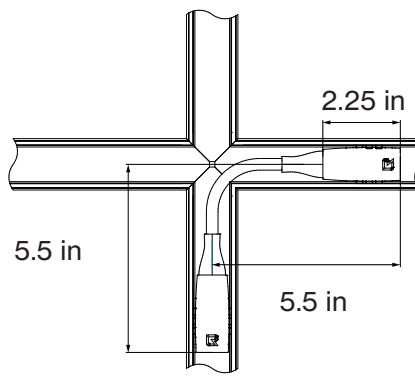
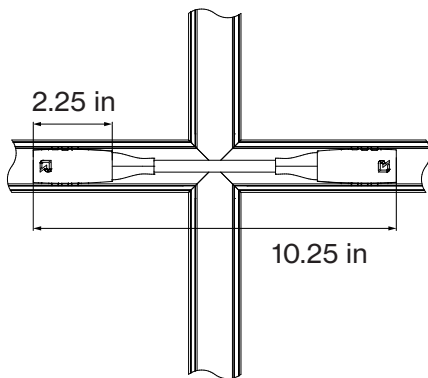
L-Configuration



Insets cannot be placed on top of power feeds and electrical connectors.

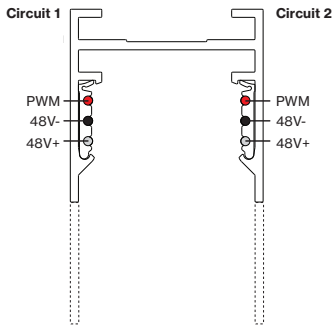
ELECTRICAL CONNECTOR

X-Configuration

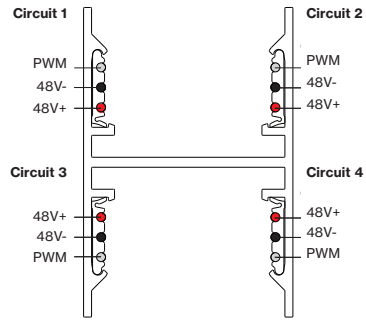


# POWER TRACK CIRCUITRY

## R1/R2

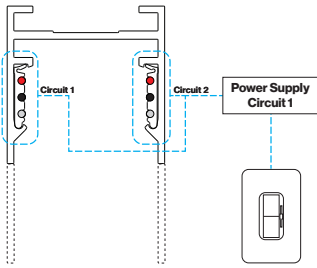


## R3

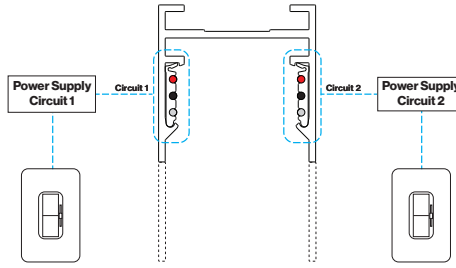


## CIRCUIT DIAGRAM

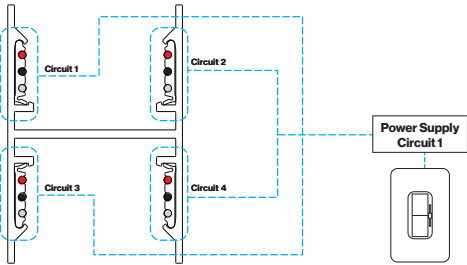
### R1/R2 Single Circuit



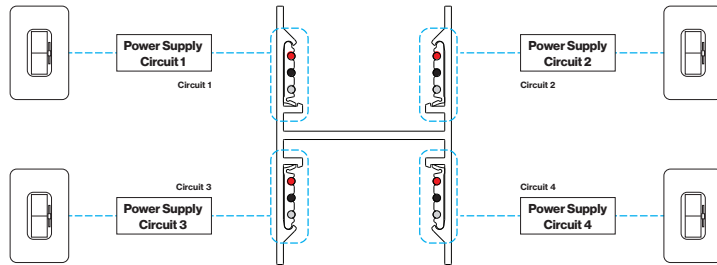
### R1/R2 Two Circuit



### R3 Single Circuit

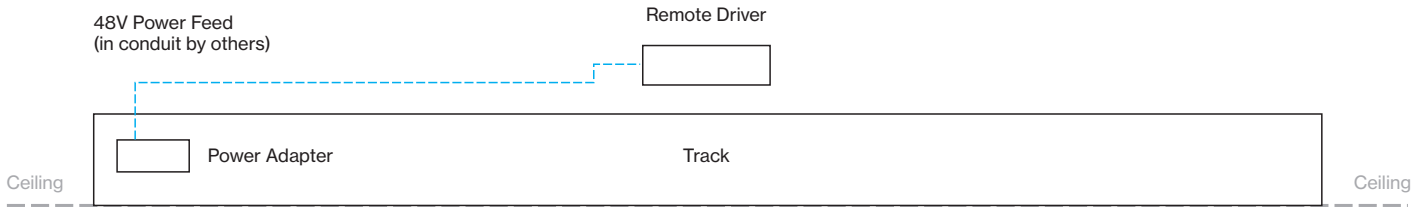


### R1/R2 Two Circuit

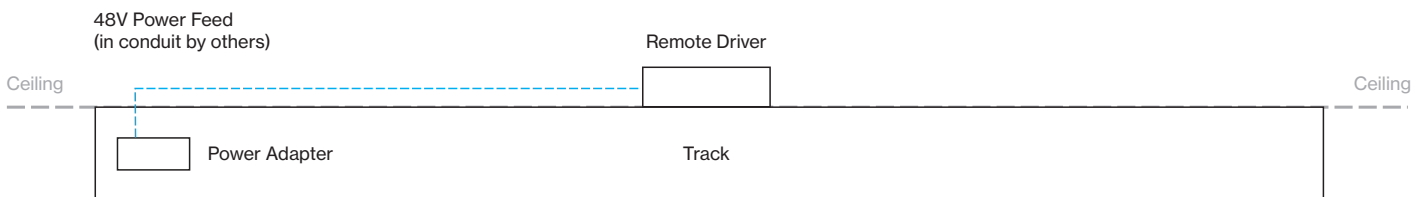


# SYSTEM COMPONENTS (SIDE VIEW)

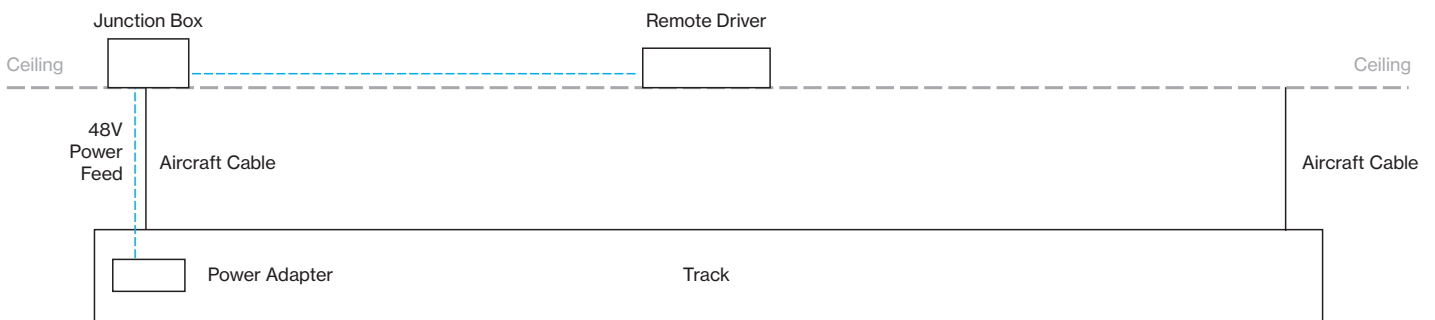
## R1/R2 RTL



## R1/R2 SUR



## R1/R2 PDT



## R3 PDT

